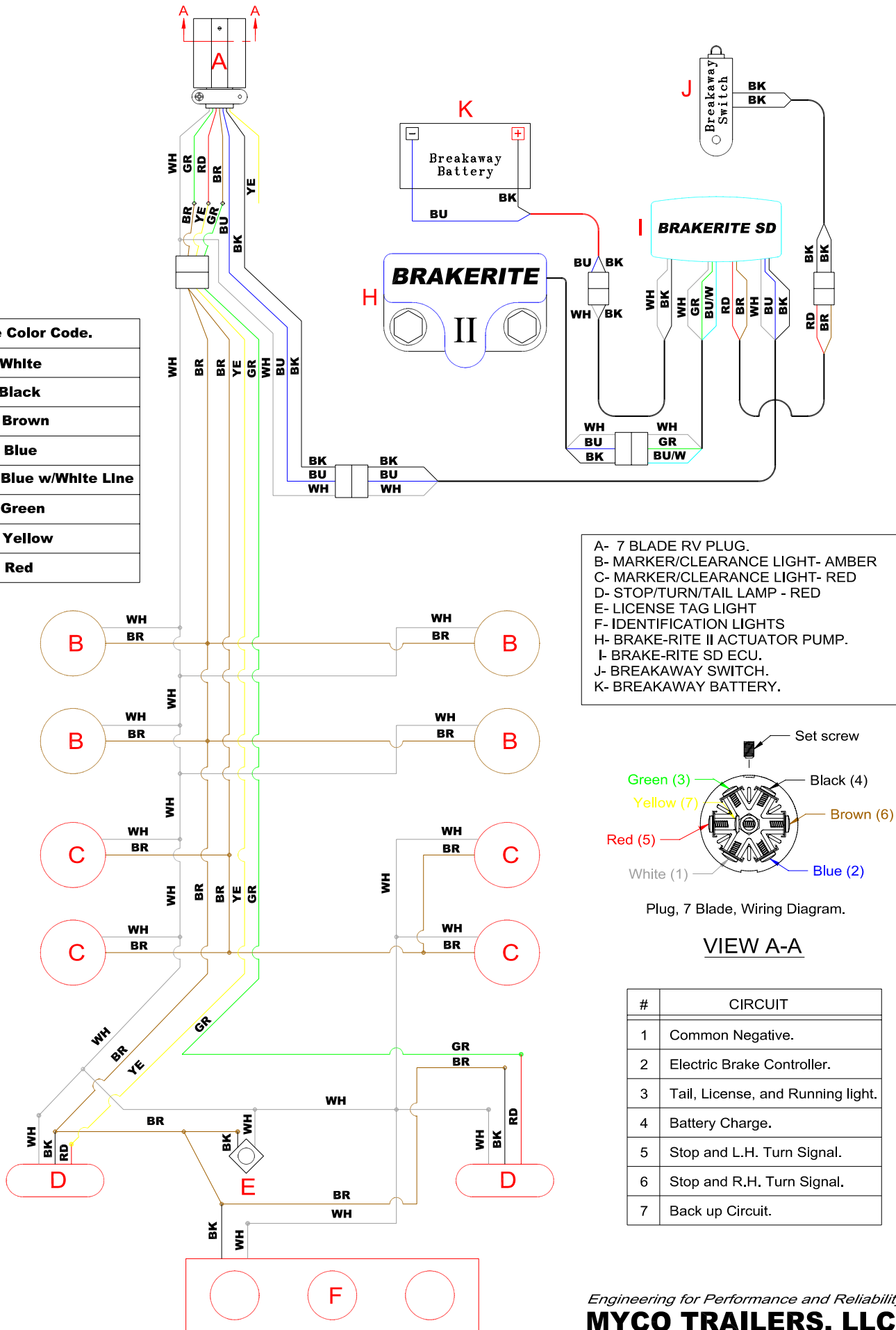
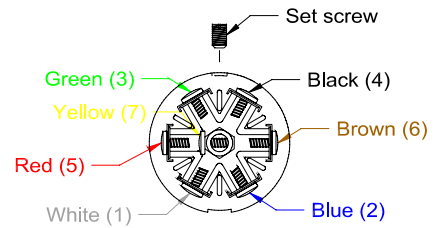


# STANDARD BRAKE-RITE ELECTRIC/HYDRAULIC TRAILER WIRING DIAGRAM GROUNDLESS WITH 7-BLADE RV PLUG. January 2008.

Wire Color Code.	
WH	White
BK	Black
BR	Brown
BU	Blue
BU/W	Blue w/White Line
GR	Green
YE	Yellow
RD	Red



A- 7 BLADE RV PLUG.  
 B- MARKER/CLEARANCE LIGHT- AMBER  
 C- MARKER/CLEARANCE LIGHT- RED  
 D- STOP/TURN/TAIL LAMP - RED  
 E- LICENSE TAG LIGHT  
 F- IDENTIFICATION LIGHTS  
 H- BRAKE-RITE II ACTUATOR PUMP.  
 I- BRAKE-RITE SD ECU.  
 J- BREAKAWAY SWITCH.  
 K- BREAKAWAY BATTERY.



## VIEW A-A

#	CIRCUIT
1	Common Negative.
2	Electric Brake Controller.
3	Tail, License, and Running light.
4	Battery Charge.
5	Stop and L.H. Turn Signal.
6	Stop and R.H. Turn Signal.
7	Back up Circuit.