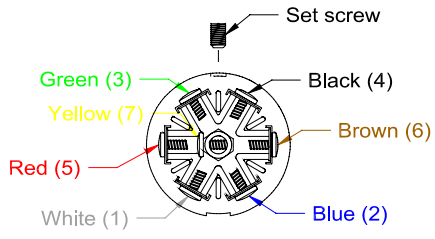


STANDARD TRAILER WIRING WITH ELECTRIC/HYDRAULIC BRAKE ACTUATION BRAKE RITE (POST AUG 1, 2004)

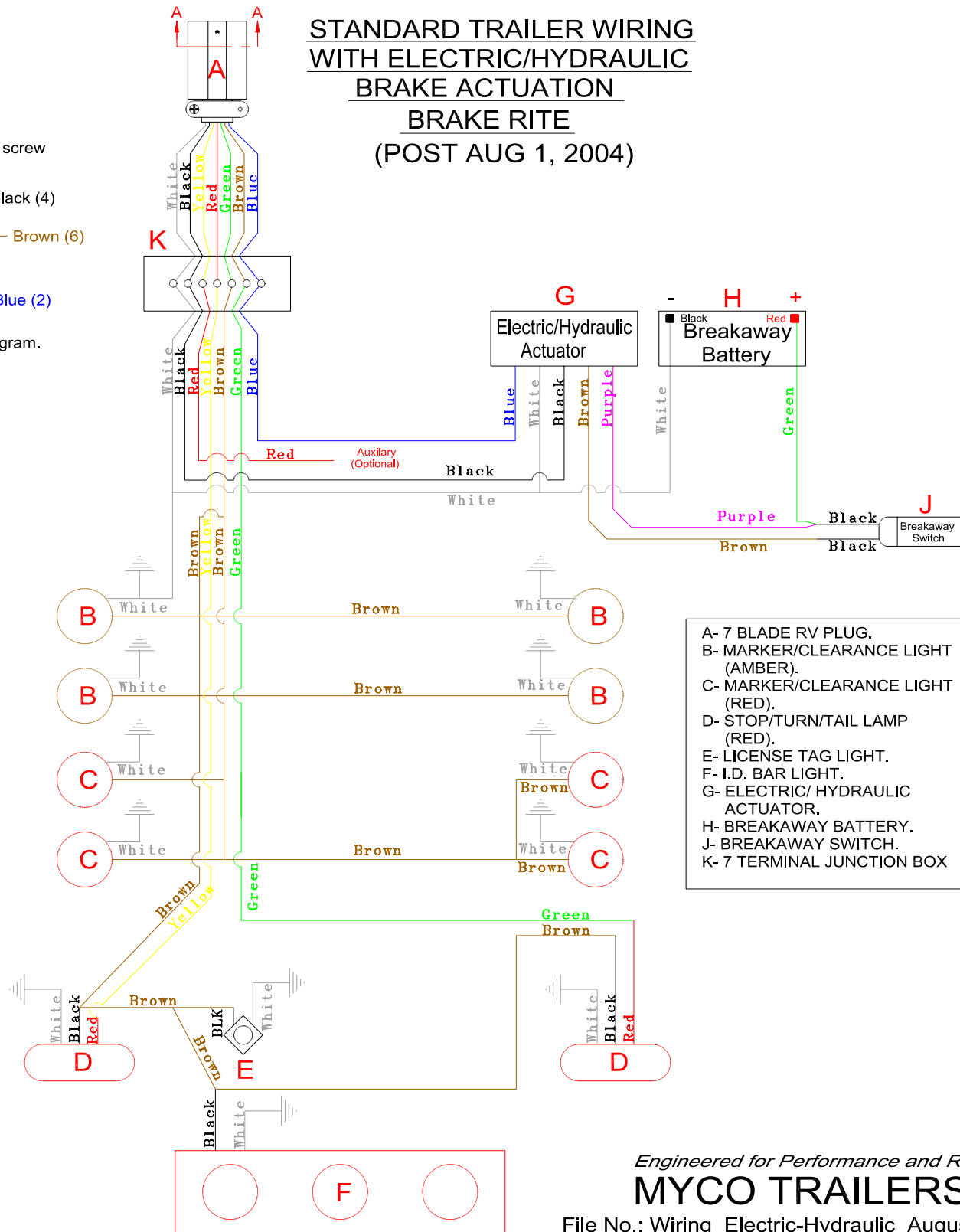


Plug, 7 Blade, Wiring Diagram.

VIEW A

NOTE: COLOR LABELS ON JUNCTION BOX MATCH 7-WAY PLUG. FUNCTION LABELS ON JUNCTION BOX MATCH DEVICES ON TRAILER.

| # | CIRCUIT |
|---|-----------------------------------|
| 1 | Common Ground. |
| 2 | Electric Brake Controller. |
| 3 | Tail, License, and Running light. |
| 4 | Battery Charge. |
| 5 | Stop and L.H. Turn Signal. |
| 6 | Stop and R.H. Turn Signal. |
| 7 | Extra Auxiliary Circuit. |



- A- 7 BLADE RV PLUG.
- B- MARKER/CLEARANCE LIGHT (AMBER).
- C- MARKER/CLEARANCE LIGHT (RED).
- D- STOP/TURN/TAIL LAMP (RED).
- E- LICENSE TAG LIGHT.
- F- I.D. BAR LIGHT.
- G- ELECTRIC/ HYDRAULIC ACTUATOR.
- H- BREAKAWAY BATTERY.
- J- BREAKAWAY SWITCH.
- K- 7 TERMINAL JUNCTION BOX

Engineered for Performance and Reliability
MYCO TRAILERS, LLC.